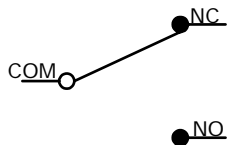


P.C. MOUNTING

O.P. (MM)	P.T. (MM)
10.0 ± 0.5	1.8 MAX.

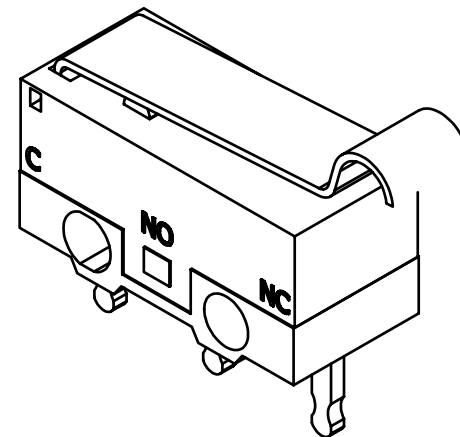
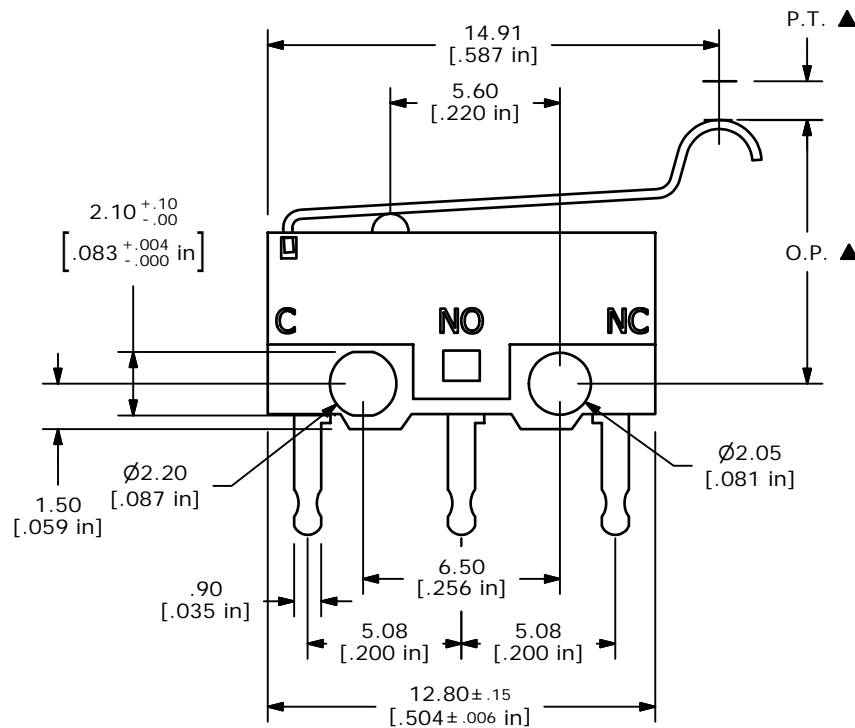
O.P. = OPERATING POINT
P.T. = PER-TRAVEL



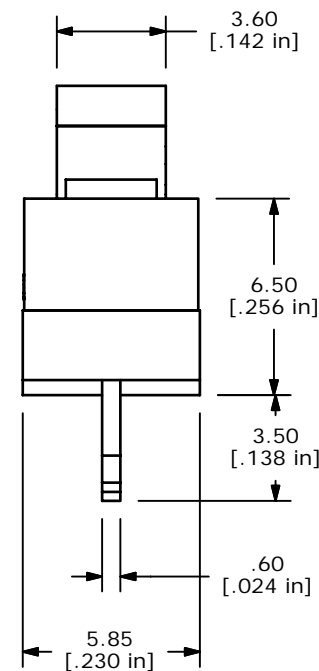
CIRCUIT: SPDT

NOTES:

1. ALL DIMENSIONS IN MM [INCH]
2. GENERAL TOLERANCE: X.X=±0.4
X.XX=±0.25
3. RATING: 3A @125VAC UL, CSA APPROVED
4. TERM. NOS. FOR REF. ONLY
5. OPERATING FORCE: 50±5 GRAMS
6. OPERATING TEMP: -25°C TO 85°C
7. ELECTRICAL LIFE: 300,000 CYCLES MIN.
8. INSULATION RESISTANCE: 100 MEGA-OHMS
9. DIELECTRIC STRENGTH: 1000V RMS AT SEA LEVEL
10. ▲ DENOTES CRITICAL PARAMETER.
11. 2002/95/EC (ROHS) COMPLIANT
12. CONTACT MATERIAL SILVER



ISOMETRIC



C	17472	REVISED AND REDRAWN	7/16/07	BF
REV	PCR NO	DESCRIPTION	DATE	BY

THE INFORMATION CONTAINED IN THIS DOCUMENT IS PROPRIETARY TO E-SWITCH AND IS NOT TO BE COPIED OR TRANSFERRED

TITLE DM0850302F050P1A				
SCALE	DATE	DR	DWG	REV
4:1	7/16/2007	BF	P030014	C